



WATER



GAS



ENVIRONMENT



PEST CONTROL

BUILD YOUR PERFECT HAND WASH STATION IN 2 EASY STEPS

JustCatering.Com

**Distributed By
JustCatering.Com Ltd**
10 Jessop Avenue, Norwood Green, Middlesex, UB2 5UY, UK
Tel/Fax: +44 (0)2088431712 Mobile: 07929291670
E-mail: sales@justcatering.com Web: http://www.justcatering.com

1 CHOOSE YOUR BASIN



BSX-300

O/D: 300 x 320 x 160mm
Bowl: 260mm dia. x 130mm deep

Optional splashback, soap dispenser and waste bin are also available.

Supplied with a push-front panel if you choose the 'hands-free' operated spout option (KVS)



BSX-400

O/D: 400 x 360 x 160mm
Bowl: 358 x 310 x 160mm deep

Optional soap dispenser and waste bin are also available.

Supplied with a push-front panel if you choose the 'hands-free' operated spout option (KVS)



BSX-400i

Same as the BSX-400 but with an integral splashback



2 CHOOSE YOUR TAP



AQUATECHNIX

Pair of WRAS LEVER taps

TX-BL

Pair of WRAS DOME taps

TX-BD



CATER TAP

Pair of WRAS 3" LEVER taps

CT-L

Pair of WRAS DOME taps

CT-D



CATER TAP

Single WRAS 3" LEVER tap with manual mixer

ML

ML is only an option with the BSX-300.



SAVE WATER & IMPROVE HYGIENE WITH INTELLIGENT DESIGN



BASIX

HANDS-FREE
WRAS push-front panel operated fixed spout with manual mixer

KVS

As above with thermostatic mixer

KVS-T



DELABIE

HANDS-FREE
Tempomatic 3 battery-operated WRAS tap with manual mixer

NT

As above with thermostatic mixer

NT-T



DELABIE

Soft-touch operated, time flow WRAS tap with manual mixer

T2

As above with thermostatic mixer

T2-T



WATER



GAS



ENVIRONMENT



PEST CONTROL

HAND WASH STATIONS

BASIX

300 MODELS

Basin dia.: O/D: 300 x 320 x 160 Bowl: 260 dia. x 130 deep

With your choice of tap, or there's an easy push-front panel basin for the "hands-free" operated spout option (KVS).



with fixed spout and push-front panel

BSX-300-KVS



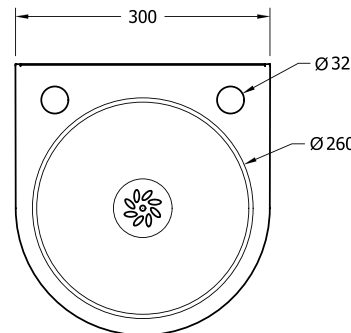
with CaterTap lever taps

BSX-300-CT-L

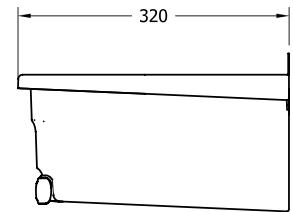
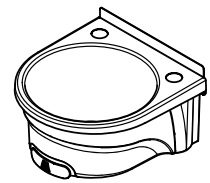


with CaterTap dome taps

BSX-300-CT-D



FRONT VIEW



SIDE VIEW



Complete with basin, drain boss and your choice of tap or push-front panel operated spout (with mixing valve)

Model	Description	WRAS Approved Product
BSX-300-TX-BL	with a pair of AquaTechnix LEVER taps	
BSX-300-TX-BD	with a pair of AquaTechnix DOME taps	
BSX-300-CT-L	with a pair of CaterTap 3" LEVER taps	
BSX-300-CT-D	with a pair of CaterTap 3" DOME taps	
BSX-300-ML	with single 3" LEVER tap and manual mixer	
Water Savings and Hygiene Options		
BSX-300-KVS	'Push-Front', Hands-Free mechanical operation Includes fixed spout, M-MX91 manual mixer, water hose & tap hole stopper	
BSX-300-KVS-T	'Push-Front', Hands-Free mechanical operation Includes fixed spout, Premix Nano DLB-732-115 thermostatic mixer, water hose & tap hole stopper	
BSX-300-NT	Battery-Operated, Hands-Free operation Includes Delabie Tempomatic 3 tap, M-MX91 manual mixer, water hose & tap hole stopper	
BSX-300-NT-T	Battery-Operated, Hands-Free operation Includes Delabie Tempomatic 3 tap, Premix Nano DLB-732-115 thermostatic mixer, water hose & tap hole stopper	
BSX-300-T2	Soft-touch operated, time flow tap Includes Delabie Temposoft 2 tap, M-MX91 manual mixer, water hose & tap hole stopper	
BSX-300-T2-T	Soft-touch operated, time flow tap Includes Delabie Temposoft 2 tap, Premix Nano DLB-732-115 thermostatic mixer, water hose & tap hole stopper	

FURTHER OPTIONS

Model	Description	Image
BSX300-SPL	Optional Splashback for 300 models only, 315(H) x 300(W)	
BSX-SPD	Optional Soap Dispenser See page 100 for more details	
BSX-WASTE-BIN	Optional Waste Bin Hangs neatly under the basin	



WATER



GAS



ENVIRONMENT



PEST CONTROL

HAND WASH STATIONS

BASIX


400 MODELS

Basin dia.: O/D: 400 x 360 x 160 Bowl: 358 x 310 x 160 deep

With your choice of tap, or there's an easy push-front panel basin for the "hands-free" operated spout option (KVS).


with battery-operated, hands-free operation

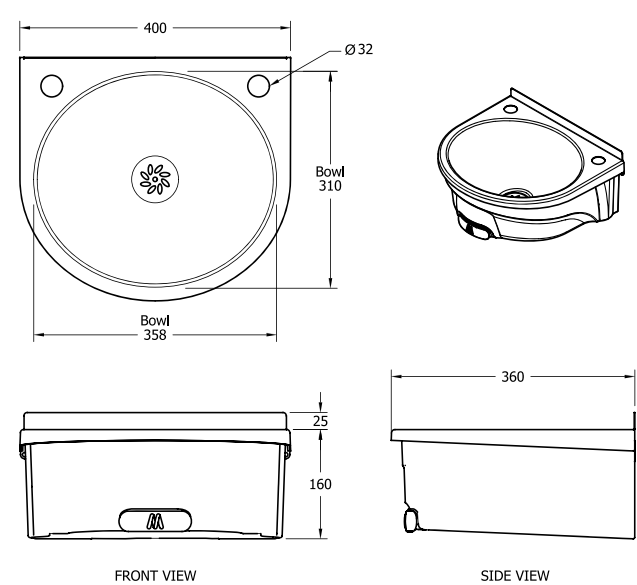
BSX-400-NT



with AquaTechnix dome taps

BSX-400-TX-BD






FRONT VIEW

SIDE VIEW

with CaterTap lever taps

BSX-400-CT-L







Complete with basin, drain boss and your choice of tap or push-front panel operated spout (with mixing valve)

Model	Description	WRAS Approved Product
BSX-400-TX-BL	with a pair of AquaTechnix LEVER taps	
BSX-400-TX-BD	with a pair of AquaTechnix DOME taps	
BSX-400-CT-L	with a pair of CaterTap 3" LEVER taps	
BSX-400-CT-D	with a pair of CaterTap 3" DOME taps	
Water Savings and Hygiene Options		
BSX-400-KVS	'Push-Front', Hands-Free mechanical operation Includes fixed spout, M-MX91 manual mixer, water hose & tap hole stopper	
BSX-400-KVS-T	'Push-Front', Hands-Free mechanical operation Includes fixed spout, Premix Nano DLB-732-115 thermostatic mixer, water hose & tap hole stopper	
BSX-400-NT	Battery-Operated, Hands-Free operation Includes Delabie Tempomatic 3 tap, M-MX91 manual mixer, water hose & tap hole stopper	
BSX-400-NT-T	Battery-Operated, Hands-Free operation Includes Delabie Tempomatic 3 tap, Premix Nano DLB-732-115 thermostatic mixer, water hose & tap hole stopper	
BSX-400-T2	Soft-touch operated, time flow tap Includes Delabie Temposoft 2 tap, M-MX91 manual mixer, water hose & tap hole stopper	
BSX-400-T2-T	Soft-touch operated, time flow tap Includes Delabie Temposoft 2 tap, Premix Nano DLB-732-115 thermostatic mixer, water hose & tap hole stopper	

FURTHER OPTIONS

Model	Description	Image
BSX-SPD	Optional Soap Dispenser See page 100 for more details	
BSX-WASTE-BIN	Optional Waste Bin Hangs neatly under the basin	



WATER



GAS



ENVIRONMENT



PEST CONTROL

HAND WASH STATIONS

BASIX

400i MODELS

Basin dia.: O/D: 400 x 360 x 510 Bowl: 358 x 310 x 160

With your choice of tap, or there's an easy push-front panel basin for the "hands-free" operated spout option (KVS).



with soft-touch operated, time flow tap

BSX-400i-T2



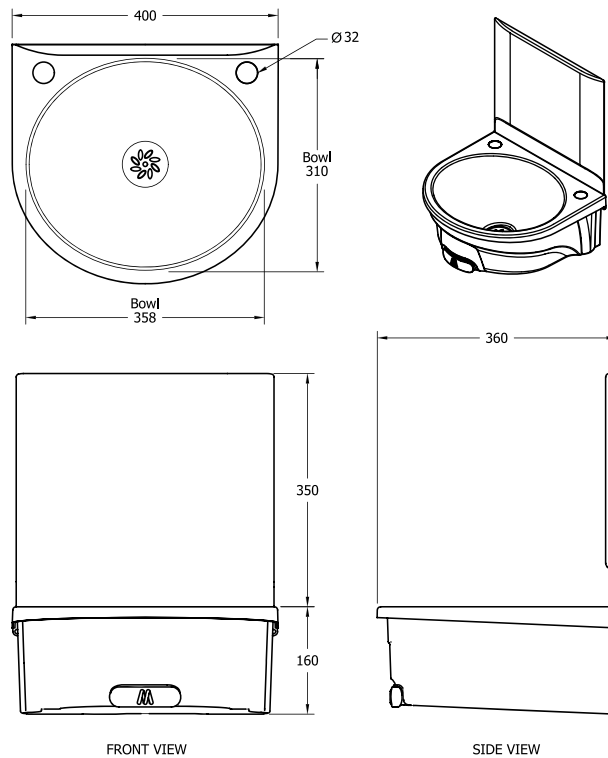
with CaterTap dome taps

BSX-400i-CT-D



with AquaTechnix lever taps

BSX-400i-TX-BL



FRONT VIEW

SIDE VIEW



Complete with basin, drain boss and your choice of tap or push-front panel operated spout (with mixing valve)

Model	Description	WRAS
BSX-400i-TX-BL	with a pair of AquaTechnix LEVER taps	
BSX-400i-TX-BD	with a pair of AquaTechnix DOME taps	
BSX-400i-CT-L	with a pair of CaterTap 3" LEVER taps	
BSX-400i-CT-D	with a pair of CaterTap 3" DOME taps	
Water Savings and Hygiene Options		
BSX-400i-KVS	'Push-Front', Hands-Free mechanical operation Includes fixed spout, M-MX91 manual mixer, water hose & tap hole stopper	
BSX-400i-KVS-T	'Push-Front', Hands-Free mechanical operation Includes fixed spout, Premix Nano DLB-732-115 thermostatic mixer, water hose & tap hole stopper	
BSX-400i-NT	Battery-Operated, Hands-Free operation Includes Delabie Tempomatic 3 tap, M-MX91 manual mixer, water hose & tap hole stopper	
BSX-400i-NT-T	Battery-Operated, Hands-Free operation Includes Delabie Tempomatic 3 tap, Premix Nano DLB-732-115 thermostatic mixer, water hose & tap hole stopper	
BSX-400i-T2	Soft-touch operated, time flow tap Includes Delabie Temposoft 2 tap, M-MX91 manual mixer, water hose & tap hole stopper	
BSX-400-T2-T	Soft-touch operated, time flow tap Includes Delabie Temposoft 2 tap, Premix Nano DLB-732-115 thermostatic mixer, water hose & tap hole stopper	

FURTHER OPTIONS

Model	Description	Image
BSX-SPD	Optional Soap Dispenser See page 100 for more details	
BSX-WASTE-BIN	Optional Waste Bin Hangs neatly under the basin	



WATER



GAS



ENVIRONMENT



PEST CONTROL

HAND WASH STATIONS

BASIX

BUILD YOUR PERFECT HAND WASH STATION IN 3 EASY STEPS

1 CHOOSE YOUR BASIN



WS1

GREY ABS Polycarbonate basin
O/D: 355 x 320 x 195mm
Bowl: 255 x 278 x 110mm deep
Optional splashback and soap dispenser also available.



WS1

As above in WHITE
Please also complete step 3 if the WHITE WS1 is your preferred basin.



WS2

Stainless steel (304) basin
O/D: 305 x 270 x 140mm
Bowl: 240 x 110 x 135mm deep
Optional soap dispenser also available.



WS3

Stainless steel (304) basin.
Push-front panel style when fitted with hands-free KVS
O/D: 300 x 320 x 195mm
Bowl: 260mm dia. x 150mm deep
Optional splashback and soap dispenser also available.



WS4

Stainless steel (304) basin
O/D: 384 x 333 x 138mm
Bowl: 300mm dia. x 138mm deep
Optional soap dispenser also available.



WS6

Stainless steel (304) push-front panel style basin with integral splashback
O/D: 420 x 375 x 570mm
Bowl: 360 x 270 x 100mm deep
Optional soap dispenser and waste bin also available.

2 CHOOSE YOUR TAP



AQUATECHNIX

Pair of WRAS LEVER taps

TX-BL

Pair of WRAS DOME taps

TX-BD

All above not an option with WS6.



CATER TAP

Pair of WRAS 3\"/>

L

D

Single WRAS 3\"/>

ML

Single 3\"/>

ML-T

All above not an option with WS6.



CATER TAP

Monobloc, single LEVER mixer tap

MM

Not with WS6.



SAVE WATER & IMPROVE HYGIENE WITH INTELLIGENT DESIGN

BASIX

HANDS-FREE knee-valve operated spout for WS1, WS2 or WS4 and push-front panel operated spout for WS3 or WS6 with manual mixer

KVS



DELABIE

HANDS-FREE TEMPOMATIC 3 battery-operated WRAS tap with manual mixer

NT

Not an option with WS2.



DELABIE

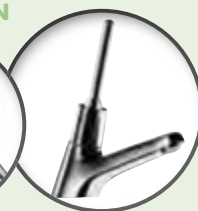
Soft-touch time flow WRAS tap with manual mixer

T2

with thermostatic mixer

T2-T

All above not an option with WS6.



DELABIE

'Auto shut-off' single LEVER tap with manual mixer

MT

with thermostatic mixer

MT-T

All above not an option with WS6.



WATER



GAS



ENVIRONMENT



PEST CONTROL

HAND WASH STATIONS

BASIX

3 HAVE YOU CHOSEN A WHITE WS1?

This STEP is only applicable if you prefer the WHITE WS1 basin in STEP 1 (Grey WS1 basins are standard). Please add **WHITE** to the end of your order code.

ORDER CODE EXAMPLES

Basin	Tap	White WS1?		Codes would be written as:
WS3	KVS		=	WS3-KVS
WS1	T2	WHITE	=	WS1-T2-WHITE

WS1 MODELS

ABS Polycarbonate basin dia.: O/D: 355 x 320 x 195 Bowl: 255 x 278 x 110 deep

Engineered from a single-piece, moulded high-grade polycarbonate ABS plastic, the WS1 is ergonomic, attractive, strong & durable with no sharp edges. **SaniTru® antimicrobial additive** embedded in the basin material resists mould, mildew & grime to provide a cleaner surface. Eco-friendly, the WS1 can be fully recycled & has lower embedded energy costs than traditional stainless steel basins. **Designed & manufactured in the UK by Mechline.**



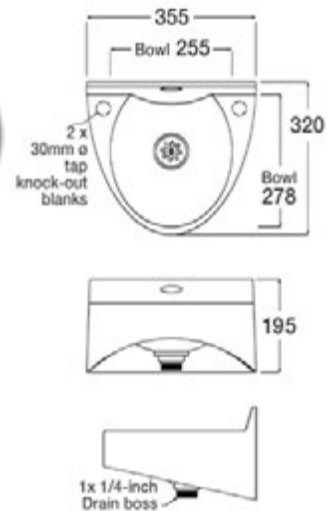
WS1-L



WS1-KVS-WHITE

pictured with SPL-WS1

Grey basins are standard. Please clearly indicate "WHITE" after model ref. if preferred.



Complete with basin, drain boss, choice of tap or hands-free control (with mixing valve).

Model	Description
WS1-TX-BL	with a pair of AquaTechnix LEVER taps
WS1-TX-BD	with a pair of AquaTechnix DOME taps
WS1-L	with a pair of CaterTap 3" LEVER taps
WS1-D	with a pair of CaterTap 3" DOME taps
WS1-ML	with single 3" LEVER tap and manual mixer
WS1-ML-T	with single 3" LEVER tap and thermostatic mixer
WS1-MM	with Monobloc, single LEVER mixer tap
Water Savings and Hygiene Options	
WS1-KVS	Knee-Operated, Hands-Free mechanical operation Includes knee-valve, fixed spout, M-MX91 manual mixer, water hose & tap hole stopper
WS1-NT	Battery-Operated, Hands-Free operation Includes Delabie Tempomatic 3 tap, M-MX91 manual mixer, water hose & tap hole stopper

Model	Description
WS1-T2	Soft-touch operated, time flow tap Includes Delabie Temposoft 2 tap, M-MX91 manual mixer, water hose & tap hole stopper
WS1-T2-T	Soft-touch operated, time flow tap Includes Delabie Temposoft 2 tap, Premix Nano DLB-732-115 thermostatic mixer, water hose & tap hole stopper
WS1-MT	with 'auto shut-off' single LEVER tap and manual mixer
WS1-MT-T	with 'auto shut-off' single LEVER tap and thermostatic mixer
Further Options	
SPL-WS1	Optional Splashback for WS1 models only, 245(H) x 342(W)
BSX-SPD	Optional Soap Dispenser - See page 100 for more details



WATER



GAS



ENVIRONMENT



PEST CONTROL

HAND WASH STATIONS

BASIX

WS2 MODELS

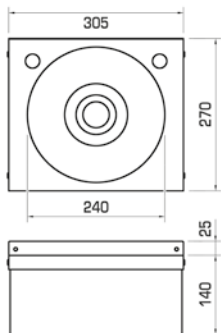
Stainless steel (304) basin dia.: O/D: 305 x 270 x 140

Bowl: 240 x 110 x 135 deep

Choose your **tap**, or "hands-free" knee-valve operated spout (KVS) to create your perfect hand wash station.



WS2-T2



WS2-KVS



Complete with basin, drain boss, choice of tap or hands-free control (with mixing valve)

Model	Description
WS2-TX-BL	with a pair of AquaTechnix LEVER taps
WS2-TX-BD	with a pair of AquaTechnix DOME taps
WS2-L	with a pair of CaterTap 3" LEVER taps
WS2-D	with a pair of CaterTap 3" DOME taps
WS2-ML	with single 3" LEVER tap and manual mixer
WS2-ML-T	with single 3" LEVER tap and thermostatic mixer
WS2-MM	with Monobloc, single LEVER mixer tap

Water Savings and Hygiene Options

WS2-KVS	Knee-Operated, Hands-Free mechanical operation <i>Includes knee-valve, fixed spout, M-MX91 manual mixer, water hose & tap hole stopper</i>
WS2-T2	Soft-touch operated, time flow tap <i>Includes Delabie Temposoft 2 tap, M-MX91 manual mixer, water hose & tap hole stopper</i>
WS2-T2-T	Soft-touch operated, time flow tap <i>Includes Delabie Temposoft 2 tap, Premix Nano DLB-732-115 thermostatic mixer, water hose & tap hole stopper</i>
WS2-MT	with 'auto shut-off' single LEVER tap and manual mixer
WS2-MT-T	with 'auto shut-off' single LEVER tap and thermostatic mixer

Further Options

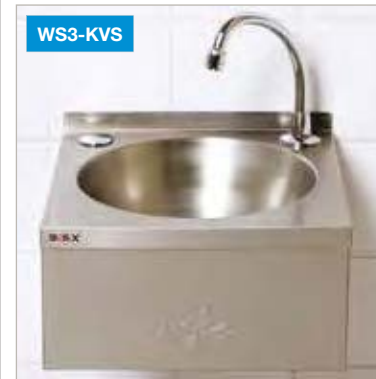
BSX-SPD	Optional Soap Dispenser <i>See page 100 for more details</i>
---------	--

WS3 MODELS

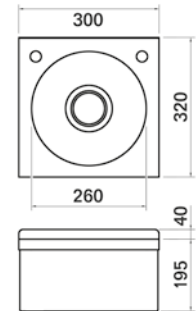
Stainless steel (304) basin dia.: O/D: 300 x 320 x 195

Bowl: 260 dia. x 150 deep

Choose your **tap**, or there's an easy push-front panel for the "hands-free" operated spout option (KVS).

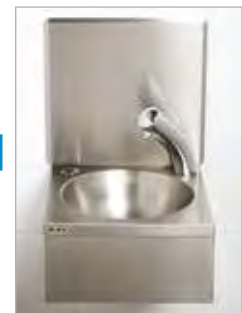


WS3-KVS



WS3-NT

pictured with SPL-WS3



Complete with basin, drain boss, choice of tap or hands-free control (with mixing valve)

Model	Description
WS3-TX-BL	with a pair of AquaTechnix LEVER taps
WS3-TX-BD	with a pair of AquaTechnix DOME taps
WS3-L	with a pair of CaterTap 3" LEVER taps
WS3-D	with a pair of CaterTap 3" DOME taps
WS3-ML	with single 3" LEVER tap and manual mixer
WS3-ML-T	with single 3" LEVER tap and thermostatic mixer
WS3-MM	with Monobloc, single LEVER mixer tap

Water Savings and Hygiene Options

WS3-KVS	'Push-Front', Hands-Free mechanical operation <i>Includes fixed spout, M-MX91 manual mixer, water hose & tap hole stopper</i>
WS3-NT	Battery-Operated, Hands-Free operation <i>Includes Delabie Tempomatic 3 tap, M-MX91 manual mixer, water hose & tap hole stopper</i>
WS3-T2	Soft-touch operated, time flow tap <i>Includes Delabie Temposoft 2 tap, M-MX91 manual mixer, water hose & tap hole stopper</i>
WS3-T2-T	Soft-touch operated, time flow tap <i>Includes Delabie Temposoft 2 tap, Premix Nano DLB-732-115 thermostatic mixer, water hose & tap hole stopper</i>
WS3-MT	with 'auto shut-off' single LEVER tap and manual mixer
WS3-MT-T	with 'auto shut-off' single LEVER tap and thermostatic mixer

Further Options

SPL-WS3	Optional Splashback for WS3 models only, 315(H) x 300(W)
BSX-SPD	Optional Soap Dispenser <i>See page 100 for more details</i>



WATER



GAS



ENVIRONMENT



PEST CONTROL

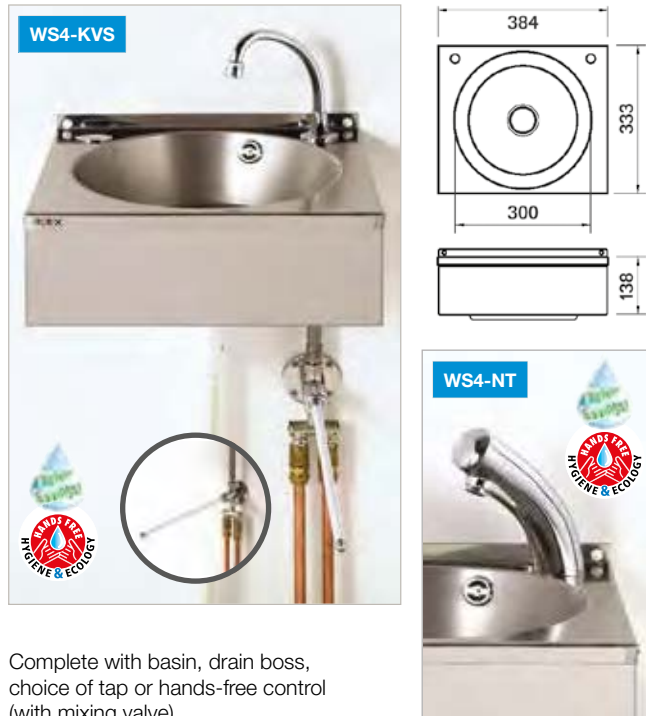
HAND WASH STATIONS

BASIX

WS4 MODELS

Stainless steel (304) basin dia.: O/D: **384 x 333 x 138**
 Bowl: **300 dia. x 138 deep**

Choose your **tap**, or “hands-free” knee-valve operated spout (KVS) to create your perfect hand wash station.



Model	Description	WRAS
WS4-TX-BL	with a pair of AquaTechnix LEVER taps	
WS4-TX-BD	with a pair of AquaTechnix DOME taps	
WS4-L	with a pair of CaterTap 3" LEVER taps	
WS4-D	with a pair of CaterTap 3" DOME taps	
WS4-ML	with single 3" LEVER tap and manual mixer	
WS4-ML-T	with single 3" LEVER tap and thermostatic mixer	
WS4-MM	with Monobloc, single LEVER mixer tap	

Water Savings and Hygiene Options

WS4-KVS	Knee-Operated, Hands-Free mechanical operation Includes knee-valve, fixed spout, M-MX91 manual mixer, water hose & tap hole stopper	
WS4-NT	Battery-Operated, Hands-Free operation Includes Delabie Tempomatic 3 tap, M-MX91 manual mixer, water hose & tap hole stopper	
WS4-T2	Soft-touch operated, time flow tap Includes Delabie Temposoft 2 tap, M-MX91 manual mixer, water hose & tap hole stopper	
WS4-T2-T	Soft-touch operated, time flow tap Includes Delabie Temposoft 2 tap, Premix Nano DLB-732-115 thermostatic mixer, water hose & tap hole stopper	
WS4-MT	with 'auto shut-off' single LEVER tap and manual mixer	
WS4-MT-T	with 'auto shut-off' single LEVER tap and thermostatic mixer	

Further Options

BSX-SPD	Optional Soap Dispenser See page 100 for more details
---------	---

WS6 MODELS

Stainless steel (304) basin dia.: O/D: **420 x 375 x 570**
 Bowl: **360 x 270 x 100 deep**

Choose your **tap**, or there's an easy push-front panel for the “hands-free” operated spout option (KVS).



Complete with stainless steel basin, drain boss, integral splashback, hands-free control and mixing valve.

Model	Description	WRAS
Water Savings and Hygiene Options		
WS6-KVS	'Push-Front', Hands-Free mechanical operation Includes fixed spout, M-MX91 manual mixer, water hose & tap hole stopper	
WS6-NT	Battery-Operated, Hands-Free operation Includes Delabie Tempomatic 3 tap, M-MX91 manual mixer, water hose & tap hole stopper	
Further Options		
WB-01	Optional Waste Bin, (for WS6 basin only)	



WATER



GAS



ENVIRONMENT



PEST CONTROL

JANITORIAL & MOP SINKS

BASIX

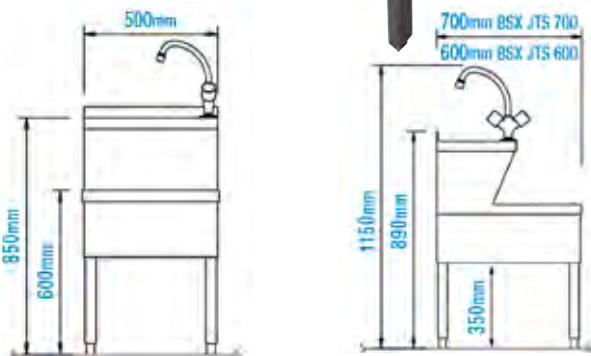
JANITORIAL SINKS

Hand-wash bowl: 430 (max) x 280 x 130 deep
Mop bowl: 400 x 400 x 200 deep

Includes monobloc mixer tap, lift-out (removable) mop strainer, waste fittings (excluding trap), adjustable feet and removable rear legs and bracket supplied for easy installation on coved walls.



Removable service panel



Model	Description
Janitorial Sinks	
BSXJTS600	Stainless steel construction (600mm deep) with monobloc mixer tap
BSXJTS700	Stainless steel construction (700mm deep) with monobloc mixer tap

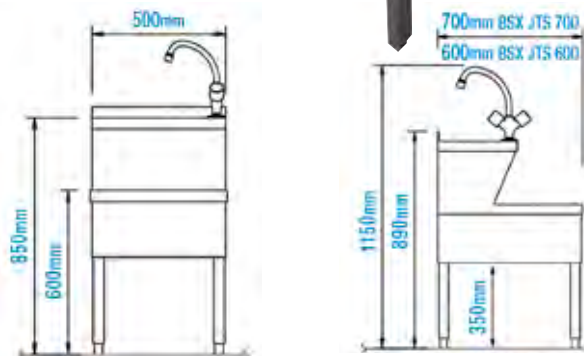
JANITORIAL SINKS

Hand-wash bowl: 430 (max) x 280 x 130 deep
Mop bowl: 400 x 400 x 200 deep

Includes TX-B-212D mixer tap, lift-out (removable) mop strainer, waste fittings (excluding trap), adjustable feet and removable rear legs and bracket supplied for easy installation on coved walls.



Removable service panel

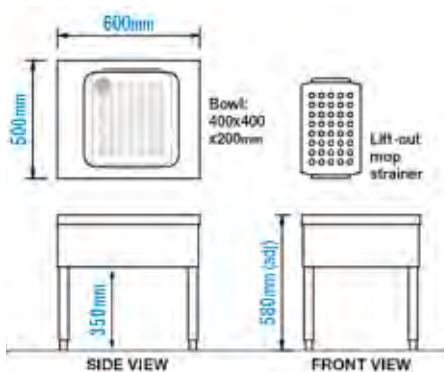


Model	Description
Janitorial Sinks	
BSXJT600-TX-B-212D	Stainless steel construction (600mm deep) with WRAS-approved mixer tap
BSXJT700-TX-B-212D	Stainless steel construction (700mm deep) with WRAS-approved mixer tap

MOP SINK

Dims: 600 x 500 x 560-620 adjustable height Mop bowl: 400 x 400 x 200 deep

Includes lift-out (removable) mop strainer, 1 1/2" waste fittings (excluding trap), adjustable feet, stainless steel upstand overflow, removable rear legs and bracket supplied for easy installation on coved walls.



Model	Description
Mop Sink	
BSXMS600	Stainless steel construction
Optional extras (sold individually)	
BSX-500WX-SO	1/2" Cross Head Bib Tap with 80mm long stand offs
500BTBP	1/2" Bib Tap Elbow (chrome)



WATER



GAS



ENVIRONMENT

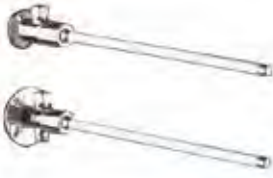


PEST CONTROL


FIXTURES, FITTINGS & ACCESSORIES

BASIX

KNEE/FOOT VALVES



Knee-Operated Valve

Model	Description
DLB-734-100	Angle wall feed 
DLB-735-400	Straight in-line 
M-RUB-KV	Straight in-line (not WRAS)

NB: M-RUB-KV comes as standard on knee-valve operated hand-wash stations.



MIX FOOT

Model	Description
DLB-739-100	Floor mounted
DLB-739-102	Wall mounted



MONO FOOT

Model	Description
DLB-736-101	Floor mounted
DLB-736-102	Wall mounted

MIXER VALVES



Thermostatic Mixer Valve

Model	Size
DLB-733-015	1/2-inch
DLB-733-020	3/4-inch



15mm Mini Thermostatic Blending Valve

Model	Size
WNT-MIX	15mm 



Manual Mixer - compact

Model	Description
DLB-200-000	1/2-inch



Compact Manual Mixer comes as standard on KVS hand-wash stations.

Manual Mixer - compact

Model	Description
M-MX91	MF1/2-inch 

PREMIX® NANO

Thermostatic mixing valve for mixed water distribution between 34 and 60°C.

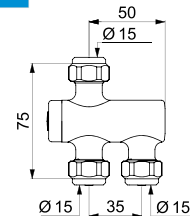
- For 1 to 2 tap or 1 shower.
- Anti-scalding safety: immediate shut-off if hot or cold water supply fails.
- Temperature pre-set at 38°C, can be adjusted by the installer from 34 - 60°C.
- Integrated non-return valves and filters.
- Minimum flow rate for operation: 3 lpm.
- Thermal shocks are possible.
- Buildcert Approval no. BC1430/0814. WRAS No. 1409058.





DLB-732-115



DLB-732-116



Model	Description
DLB-732-115	Nickel-plated body M1/2", 15mm 
DLB-732-116	Polished chrome body M1/2", 15mm 

TIMEFLOW VALVES



Timeflow Valve for WS3 Basin

Model	Description
M-TPO91-INOX	for WS3 basin



Timeflow Valve for WS6 Basin

Model	Description
DLB-748-126	for WS6 basin 



WATER



GAS



ENVIRONMENT



PEST CONTROL

FIXTURES, FITTINGS & ACCESSORIES

BASIX

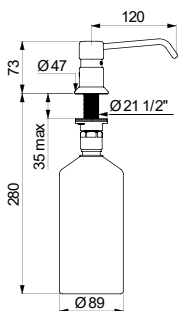
SOAP DISPENSERS

DECK MOUNTED

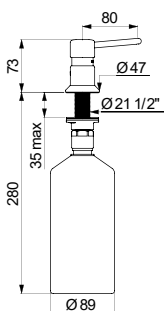
Liquid soaps with a viscosity between 500 to 800 centipoises/MPSA are best.



DLB-729-012



DLB-729-012



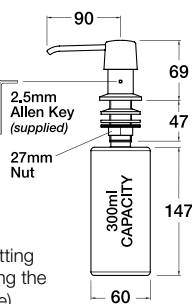
DLB-729-008



DLB-729-008

Chrome plated push-button dispenser. Allen screw fitting prevents vandalism. Filled up from the top (by unscrewing the upper part) or from the bottom (by unscrewing the bottle).

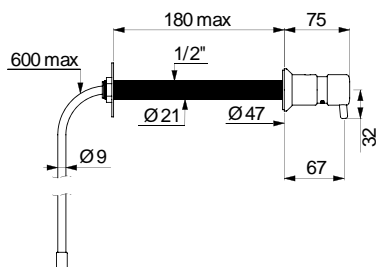
Model	Description
DLB-729-012	with 1 litre bottle, CURVED spout, L. 120mm
DLB-729-008	with 1 litre bottle, STRAIGHT spout, L. 80mm
DLB-729-108	with rilsan pipe 1.20 metre for remote tank, STRAIGHT spout, L. 80mm
DLB-729-508	with 0.5 litre bottle, STRAIGHT spout, L. 80mm height under washbasin 210mm



Chrome plated brass push-top dispenser. Allen screw fitting prevents vandalism. Filled up from the top (by unscrewing the upper part) or from the bottom (by unscrewing the bottle).

Model	Description
BSX-SPD	with 300ml capacity bottle, CURVED spout, L 90mm, drill hole size = 26mm

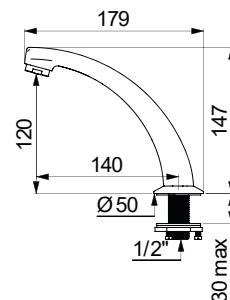
WALL MOUNTED



Chrome plated push-button through-the-wall dispenser. For remote soap-tin (tin not included).

Model	Description
DLB-729-150	for wall 150mm thick, with flexible pipe 6/8 L. 1.20 m

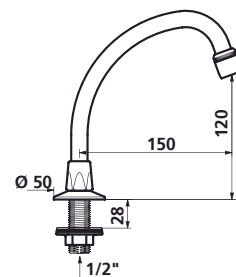
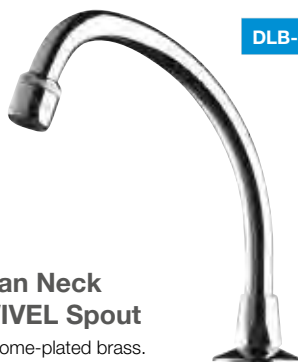
SPOUTS



FIXED, Cast Spout

- Chrome-plated solid brass.
- Reinforced fixing by 3 stainless steel screws.
- Flow straightener set at 3 lpm.

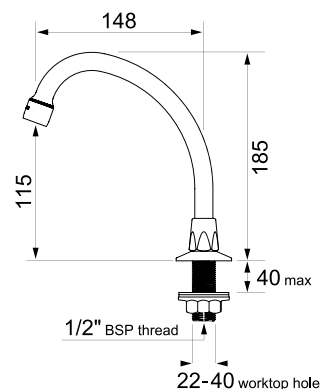
Model	Description
DLB-981-142	L 140, H 120mm, M1/2"



Swan Neck SWIVEL Spout

- Chrome-plated brass.
- Fixing by back-nut.
- Scale-resistant flow straightener set at 3 lpm.

Model	Description
DLB-967-152	L 150, H 120mm, M1/2"
DLB-967-202	L 200, H 200mm, M1/2"



Swan Neck FIXED Spout

- Chrome-plated brass.
- Fixing by back-nut.
- Scale-resistant flow straightener set at 3 lpm.

Model	Description
M-CDC90	FIXED Spout L 148, H 115mm, OA 185mm, M1/2"

NB: Comes as standard on KVS hand-wash stations.



WATER



GAS



ENVIRONMENT

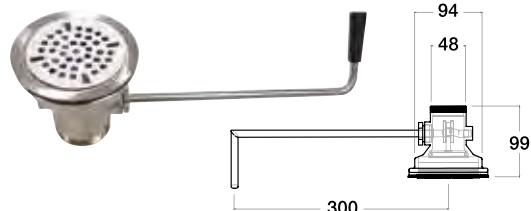


PEST CONTROL

FIXTURES, FITTINGS & ACCESSORIES

BASIX

MISCELLANEOUS



Drain Lever Waste Kit

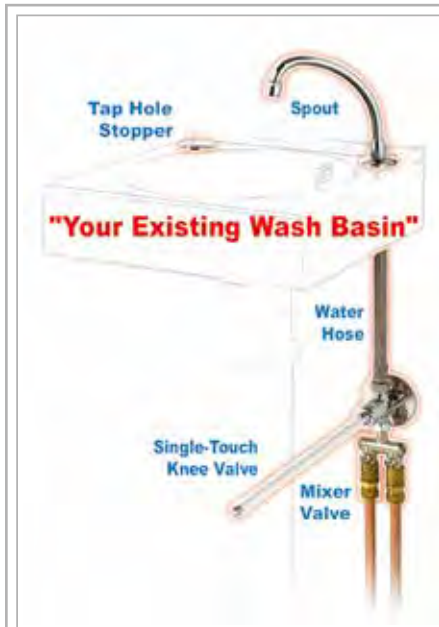
Nickel coated brass body with stainless steel lever and strainer.

Model	Description
MDLW-150	1 1/2-inch drain connection, without overflow



Tap Hole Stopper

Model
THS



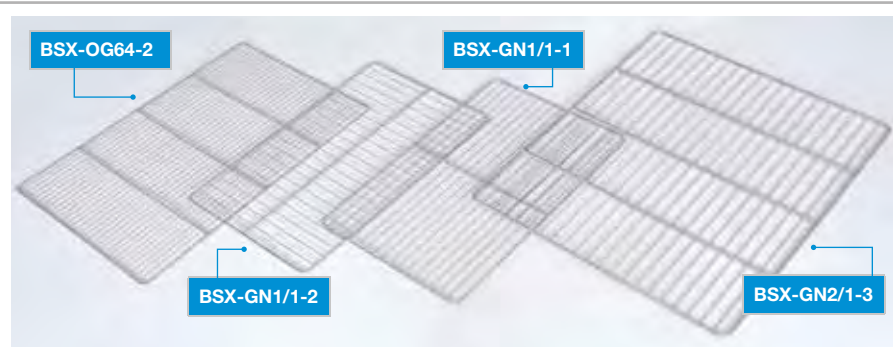
Hands-Free Conversion Kit - for Existing Wash Hand Basins

Consider making your existing basin a hands-free station.

Includes: knee valve, spout, blending mixer valve, water hose & tap hole stopper. (Basin sold separately).

OPTION: Can be supplied with Thermostatic mixing valve as an option. Contact Mechline for more information.

Model	Description
HANDSFREE-EZ	Conversion Kit



"Gastronorm"/Oven Grids

Durable stainless steel, designed to fit most cooker formats.

Model	Description
BSX-GN1/1-1	1 strutt, 16 rungs, (530x325mm)
BSX-GN1/1-2	1 strutt, 20 rungs, (325x530mm)

Model	Description
BSX-GN2/1-3	3 strutts, 20 rungs, (650x530mm)
BSX-OG64-2	3 strutts, 29 rungs, (600x400mm)

QUICKLINK

MOBILISATION SYSTEMS FOR SINKS & DISHTABLING

MAKE IT EASIER THAN EVER TO GET BEHIND YOUR CATERING EQUIPMENT!



See pages 109-113 for details